

April 2014

MY600 Jet Printer Specification



SPECIFICATION MY600 JET PRINTER

SPEED AND ACCURACY

SPEED AND ACCURACY – SOLDER PASTE	
Jet printing frequency	720,000 dph / 1,080,000 dph ⁽¹⁾
Reference board throughput ⁽²⁾	33,000 cph / 40,500 cph ⁽¹⁾
Single dot repeatability 3σ (X, Y) ⁽³⁾	54 μm (0.0021")
Single dot accuracy @ Cpk=1.33 (X, Y) ⁽³⁾	80 μm (0.0031")
Deposit accuracy @ Cpk=1.33 (X, Y) QFP100C ⁽⁴⁾	33 μm (0.0013")
Deposit accuracy @ Cpk=1.33 (X, Y) 0603 ⁽⁴⁾	40 μm (0.0016")
Deposit repeatability 3s (X, Y) QFP100C ⁽⁴⁾	19 μm (0.0007")
Deposit repeatability 3s (X, Y) 0603 ⁽⁴⁾	24 μm (0.0009")

- (1) Requires optional high-speed option.
 (2) For reference board information, see page 4.
 (3) At default jetting height, 0.65 mm over the PCB.
 (4) Calculated value from single dot accuracy.

DOT RANGE

DOT RANGE – SOLDER PASTE	
Dot diameter, min ⁽⁵⁾	0.33 mm (0.013")
Dot diameter, max	0.52 mm (0.020")
Dot volume, min ⁽⁵⁾	5 nl
Dot volume, max	20 nl
Single dot volume repeatability, 5 nl dots	12,0%
Single dot volume repeatability, 15 nl dots	8,0%
Deposit volume repeatability, QFP100C ⁽⁶⁾	4,0%
Deposit volume repeatability, 0603 ⁽⁶⁾	3,5%

- (5) Dot diameter and dot volume required for 0.4 mm QFP, 0.5 mm BGA and 0201 components.
 (6) Calculated value from single dot repeatability.

SYSTEM FEATURES

SYSTEM FEATURES MY600 JET PRINTER
Individual deposit programming – optimizing quality for every solder joint
Quick mode programming – automatch
Handling multi-level boards – editable jetting height
Automatic board stretch and board warpage compensation
Bad board mark handling
Automatic verification of paste type and due date
CAD / Gerber import, all common formats
On-the-spot revisions
No stencils required
Automatic conveyor width adjustment
Low paste waste
Closed system for solder paste – clean process
Operator independent quality

MACHINE PLATFORM FEATURES

MACHINE PLATFORM FEATURES	
Gantry type	X / Y linear motor
Servo	Advanced DSP motion control
Gantry acceleration, max	3g (30 m/s ²)
Dot volume, max	20 nl
Position resolution	0.2 μm

BOARD HANDLING

MY600 BOARD HANDLING	
Maximum board size	508 x 508 mm (20" x 20")
Minimum board size	70 x 50 mm (2.7" x 2")
Board thickness range	0.4 ⁽⁷⁾ - 6.0 mm (0.016" - 0.24")
Board edge clearance, top	3 mm (0.12")
Board edge clearance, bottom	4 mm (0.16")
Bottom side clearance	20 mm (0.79")
Board warp / bow / twist, max ⁽⁸⁾	+/- 2 mm (0.08")
Board weight, max	5 kg (11 lbs)
Board transport height (SMEMA)	880-975 mm (34.6" -38.4")

- (7) Contact MYDATA Sales for thin board applications below 0.4 mm.
 (8) +/- 0.4 % of PCB diagonal or 2 mm, whichever is lowest.

SOFTWARE

OFFLINE SOFTWARE MODULES (OPTIONAL)
Factory level programming software – MYCam
MYDATA P&P interface – MYCam Express
Advanced Gerber import – MYCenter
Shared databases

OPTIONAL FEATURES

SMT ADHESIVE	
Minimum dot diameter	0.33 mm (0.013")
Maximum dot diameter	0.52 mm (0.020")
Media	Adhesive

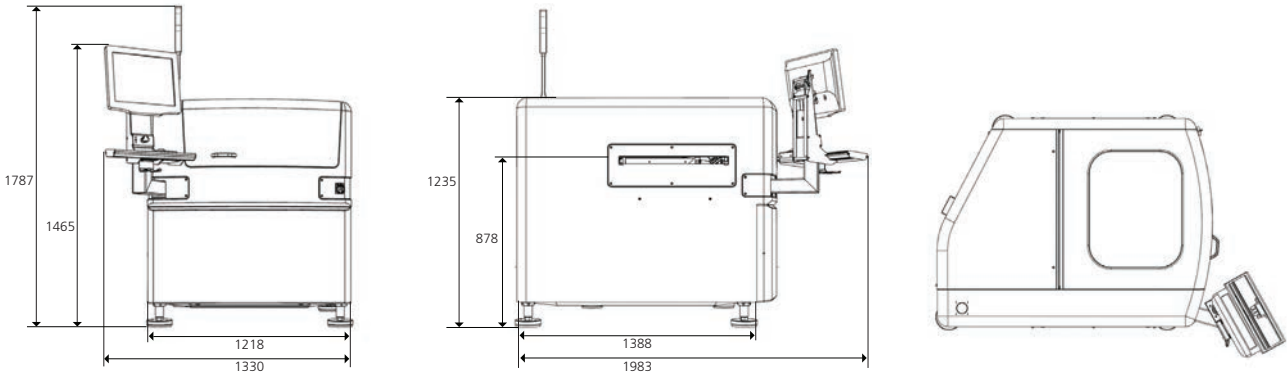
INSPECT AND REPAIR	
Inspection type	Paste present
Active field of view	11 x 15 mm (0.43" x 0.59")
Inspection speed	200 mm ² / s
Repair	Auto / Manual

HIGH SPEED	
Dot frequency	1,080,000 dph
Reference board throughput ⁽²⁾	40,500 cph
Media	Solder paste, adhesive

INSTALLATION REQUIREMENTS	
Machine weight	2 000 kg (4,400 lbs)
Power requirements	Three phase AC 6.6 kVA
Power consumption	1.2 kW
Voltage	3 x 200, 210, 220, 230, 240, 250 ±10%, Y or Delta
Air supply	5-10 bar, 180 l/min
Air quality	ISO 8573-1 4 4 4
Ambient temperature	+18°C to +32°C, <95% RH non condensing

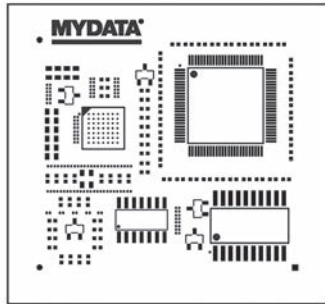
DIMENSIONS MY600 JET PRINTER

in mm.



REFERENCE BOARD

Panel of six PCBs. Reference board throughput includes board transfer, fiducial search, height measurement and jet printing.



Component list

O201	65 pcs
O402	73 pcs
O603	12 pcs
BGA49	1 pcs
SO14	1 pcs
SO20	1 pcs
SOT23	5 pcs
TQFP100	1 pcs

No. of pads 498



www.mydata.com
info@mydata.com

Micronic Mydata AB
PO Box 3141
SE-183 03 Täby
Sweden

Visit: Nytorpsvägen 9, Täby
Tel: +46 8 638 52 00
Fax: +46 8 638 52 90

MYDATA Asia
Tel: +65 6281 7997
Fax: +65 6281 7667

MYDATA Benelux
Tel: +31 402 62 06 67
Fax: +31 402 62 06 68

MYDATA China
Tel: +86 21 3252 3785/86
Fax: +86 21 3252 3780

MYDATA France
Tel: +33 1 41 80 15 80
Fax: +33 1 46 86 77 89

MYDATA Germany
Tel: +49 89 45 24 24 8-0
Fax: +49 89 45 24 24 8-80

MYDATA Japan
Tel: +81 42 354 1320
Fax: +81 42 354 1321

MYDATA UK
Tel: +44 1 202 723 585
Fax: +44 1 202 723 269

MYDATA USA
Tel: +1 978 948 6919
Fax: +1 978 948 6915

MYDATA South Korea
Tel: +82 31 387 5111
Fax: +82 31 388 0087

Specifications are subject to change without notice.

MYDATA, MYDATA automation and MY, MY100, MY100DX, MY100SX, MY100LX, MY100e, MY100Hxe, MY100Dxe, MY100Sxe, MY100Lxe, MY200, MY200HX, MY200DX, MY200SX, MY200LX, MY500, MY600 and MYSynergy; T3, T4, T5 and T6; HYDRA Speedmount, Midas, ISiC, Agilis, Agilis Linear Magazine (ALM), Agilis Linear Magazine Flex (ALM FLEX), Agilis Stick Magazine (ASM), MYDATA Tray Exchanger (TEX), MYDATA Tape Magazine (TM), MYDATA Tray Wagon Magazine (TWM), MYDATA Dip Unit (DPU), MYDATA Standard Vision System (SVS), MYDATA Dual Vision System (DVS), MYDATA Linescan Vision System (LVS), MYDATA HYDRA Vision System (HVS); MYDATA Assembly Process Management (APM) including: JPSys, TPSys, MYLabel, MYPlan, MYCenter, MYTrace, MYCam, FlowLine and CAD Conversion are registered trademarks or trademarks of Micronic Mydata AB. MYDATA is ISO 9001:2008 certified.